

CEL-FI™

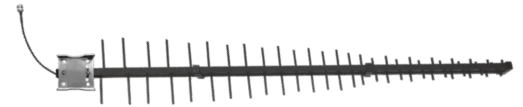
LPDA-R DONOR ANTENNA

With 10k Resistor Built-in

The Cel-Fi LPDA-R Antenna offers a powerful 12 to 14 dBi gain (depending on carrier frequency) over 617–4000 MHz and is designed to reduce out of band noise, to improve SiNR and overall signal quality. Mounting is made simple with included U-Bolts. This Cel-Fi product also features a 10K ohm resistor that enables antenna monitoring when is used with Cel-Fi Public Safety line of products.

Key Features

- 12–14 dBi Gain
- Narrow Beam-width to Reduce Noise
- Rugged Construction for Harsh Environments
- 10k Ohms Resistor Built-in for Public Safety Applications



Works with the following Cel-Fi products:



Cel-Fi QUATRA
4000/4000i/4000e



Cel-Fi QUATRA RED



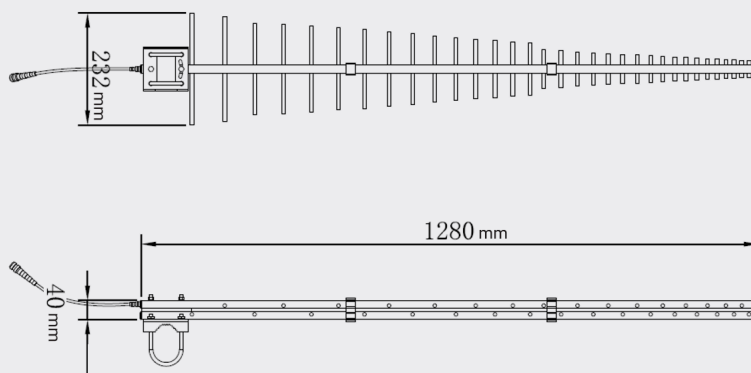
Cel-Fi SOLO RED

ELECTRICAL SPECIFICATIONS

Frequency Range (MHz)	617–960	1710–2700	3300–4000
Gain (dBi)	12	14	12
VSWR	≤2.5	≤2.0	≤2.0
Polarization	Vertical		
Front to Back Ratio (dB)	≥20	≥24	≥13
Horizontal Beam Width	55°	42°	36°
Vertical Beam Width	46°	34°	32°
Input Impedance	50 Ohms		
Maximum Input Power	50W		
Lightning Protection	DC Ground		

MECHANICAL SPECIFICATIONS

Connector	N-Female
Dimensions	1280 mm
Weight	1.6 kg
Reflector Material	Aluminum
Rated Wind Velocity	210 km/h
Operating Temperature	-40°C to +65°C
Mounting Pole	∅38–∅52 mm



Copyright © 2022 by Nextivity, Inc, U.S. All rights reserved. The Nextivity and Cel-Fi logos are registered trademarks of Nextivity Inc. All other trademarks or registered trademarks listed belong to their respective owners. Designed by Nextivity in California. data_lpda-r-donor-antenna_22-0823

Your Australian In-Building Coverage Specialist

t. 1800 243 252 | 02- 9381 9999
e. info@mobilecorp.com.au

Doug Mears, Business Development Manager
m. 0459 972 675
e. douglas.mears@mobilecorp.com.au



Nextivity Inc.

16550 West Bernardo Drive, Bldg 5, Suite 550, San Diego, CA 92127
www.cel-fi.com